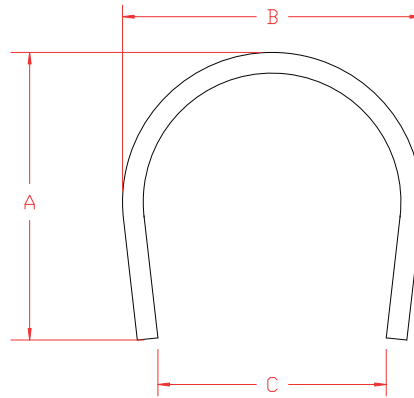




Track Cover



Hygrade track covers are available to fit most manufacturers' patio door sills. Profiles are applicable for new construction or retro-fit needs allowing the cover to be slid on before the door is assembled or snapped on after assembly.

Hygrade's track cover tooling can be modified to produce track cover variations to meet specific needs and tooling can be made for custom shaped track covers.

Track cover products are fabricated from noncorrosive 300 series stainless steel. Track cover can be run to specific lengths at no additional charge.

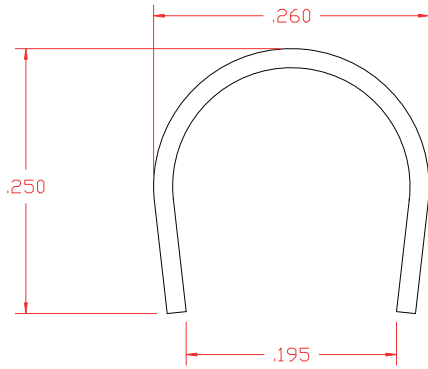
Part Number	Height (A)	Width (B)	Opening (C)
TC1	0.260	0.250	0.185
TC2	0.260	0.250	0.145
TC3	0.250	0.250	0.135
TC4	0.250	0.244	0.175
TC5	0.250	0.250	0.125
TC8	0.375	0.510	0.414
TC10	0.235	0.244	0.140
TC11	0.254	0.224	0.208
TC12	0.231	0.192	0.139
TC13	0.396	0.384	0.318
TC14	0.349	0.187	0.151
TC15	0.250	0.212	0.160
TC17	0.265	0.224	0.195
TC18	0.260	0.213	0.177
Stainless Steel Roller Track			
TR9	0.710	0.410	0.210
TR10	0.595	0.392	0.344



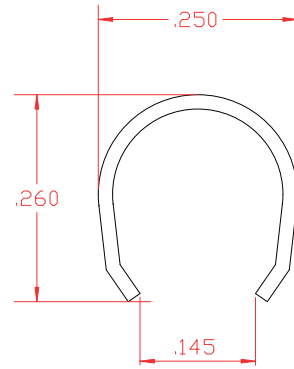
Track Cover

Standard Packaging:

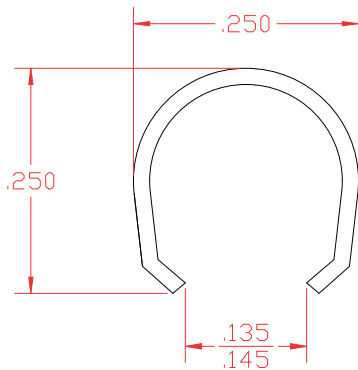
Less than 120" - 150 pcs. per tube
Greater than 120" - 50 pcs. per tube



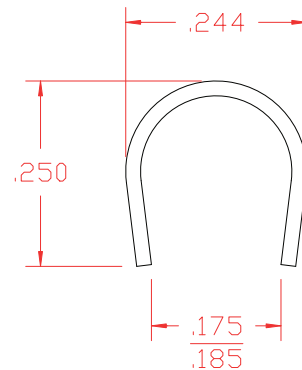
TC1



TC2



TC3



TC4

Hygrade track covers are available to fit most manufacturers' patio door sills. Profiles are applicable for new construction or retro-fit needs allowing the cover to be slid on before the door is assembled or snapped on after assembly.

Hygrade's track cover tooling can be modified to produce track cover variations to meet specific needs and tooling can be made for custom shaped track covers.

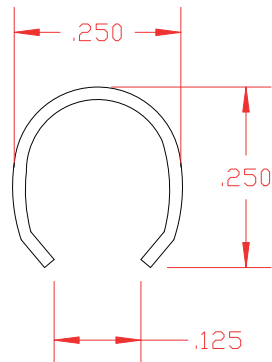
Track cover products are fabricated from noncorrosive 300 series stainless steel. Track cover can be run to specific lengths at no additional charge.



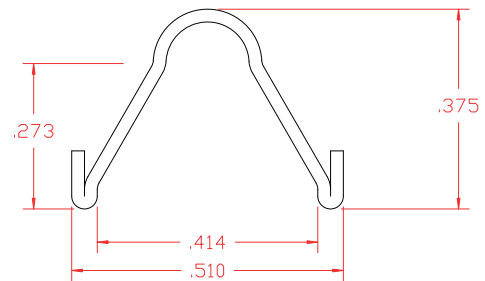
Track Cover

Standard Packaging:

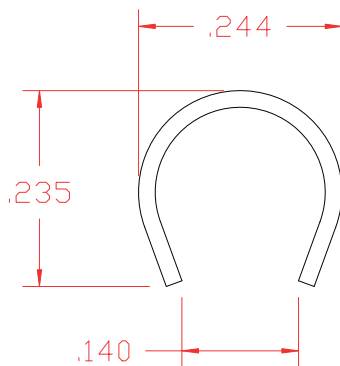
Less than 120" - 150 pcs. per tube
Greater than 120" - 50 pcs. per tube



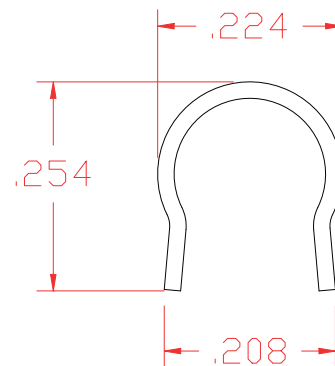
TC5



TC8



TC10



TC11

Hygrade track covers are available to fit most manufacturers' patio door sills. Profiles are applicable for new construction or retro-fit needs allowing the cover to be slid on before the door is assembled or snapped on after assembly.

Hygrade's track cover tooling can be modified to produce track cover variations to meet specific needs and tooling can be made for custom shaped track covers.

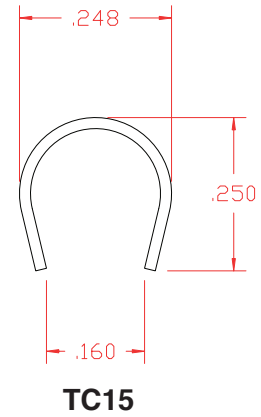
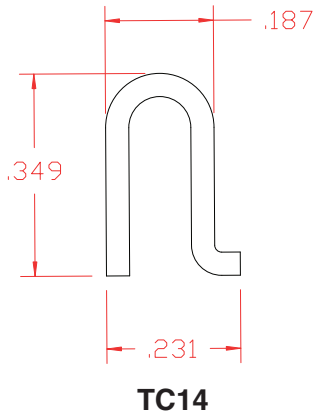
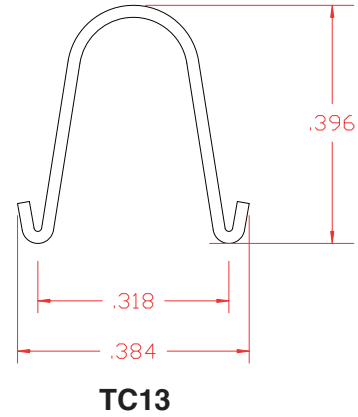
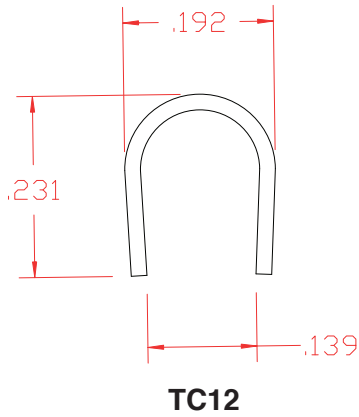
Track cover products are fabricated from noncorrosive 300 series stainless steel.
Track cover can be run to specific lengths at no additional charge.



Track Cover

Standard Packaging:

Less than 120" - 150 pcs. per tube
Greater than 120" - 50 pcs. per tube



Hygrade track covers are available to fit most manufacturers' patio door sills. Profiles are applicable for new construction or retro-fit needs allowing the cover to be slid on before the door is assembled or snapped on after assembly.

Hygrade's track cover tooling can be modified to produce track cover variations to meet specific needs and tooling can be made for custom shaped track covers.

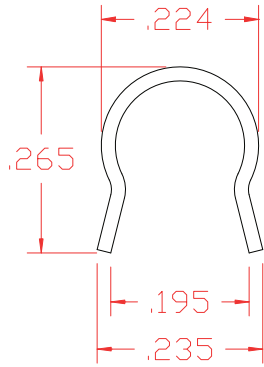
Track cover products are fabricated from noncorrosive 300 series stainless steel. Track cover can be run to specific lengths at no additional charge.



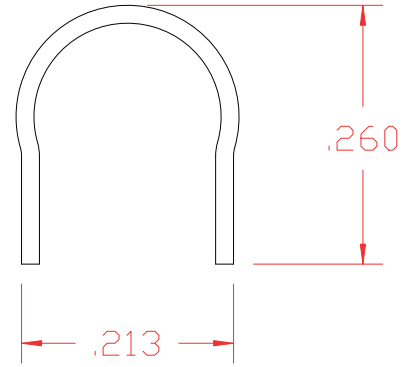
Track Cover

Standard Packaging:

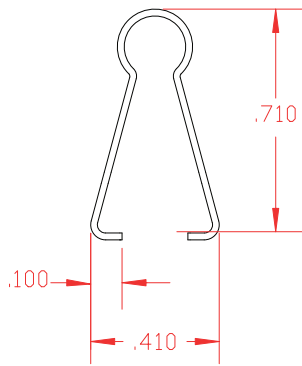
Less than 120" - 150 pcs. per tube
Greater than 120" - 50 pcs. per tube



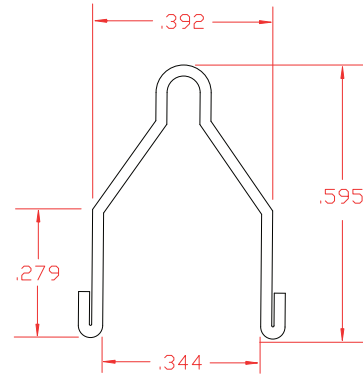
TC17



TC18



TR9



TR10

Hygrade track covers are available to fit most manufacturers' patio door sills. Profiles are applicable for new construction or retro-fit needs allowing the cover to be slid on before the door is assembled or snapped on after assembly.

Hygrade's track cover tooling can be modified to produce track cover variations to meet specific needs and tooling can be made for custom shaped track covers.

Track cover products are fabricated from noncorrosive 300 series stainless steel.
Track cover can be run to specific lengths at no additional charge.