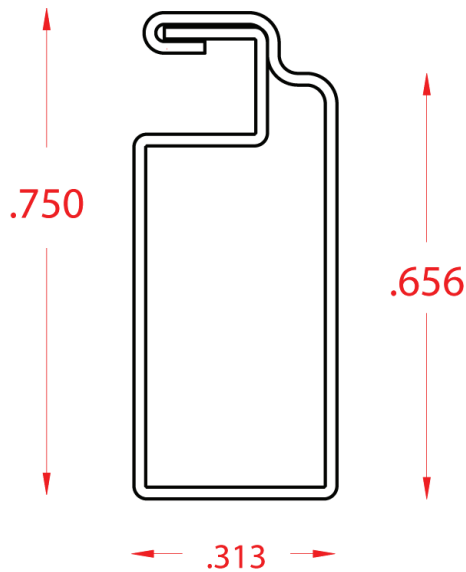




Window Screen Frames

Screen Frame Components



SC516 - 5/16" x 3/4"
Roll Formed Aluminum Screen Frame

Standard Packaging	Corner Keys	Corners Per Box
Pieces per Box: 152	DSSC516	800-3000
Piece Length: 12'8"	DSSC516S	800
Box Weight: 93 lbs.	DSSC516PT	1000
	DSSC516SPT	1000
	DSSCU516	800
	DHSC516	800
	DISC516	800
	DISC516M	1000

Screen frame is produced with an industry leading paint system.
 Cut to length screen frame may be available with an up-charge.
 Standard screen frame bow is 1" to 1.5". Custom bows may be available.
 All measurements are nominal and maybe subject to change for key fit.
 Please refer to color chart for color and gauge availability.
 Please contact Customer Service for specific screen frame options.

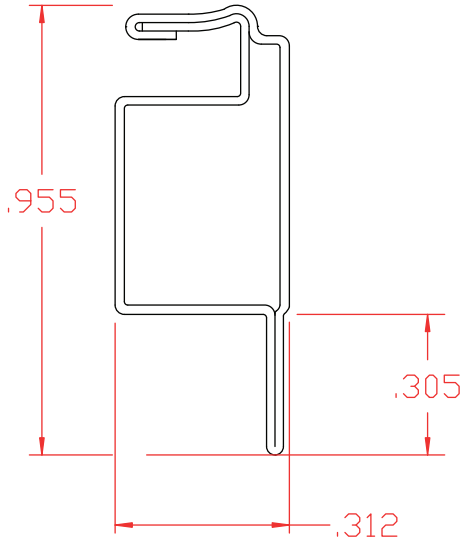
Related Corner Keys

DSSC516 External	DSSC516S External With Spring Stop	DSSC516PT External With Pull Tab	DSSC516SPT External With Pull Tab & Stop	DSSCU516 External Universal	DHSC516 External Hollow Back	DISC516 Plastic Internal	DISC516M Metal Internal



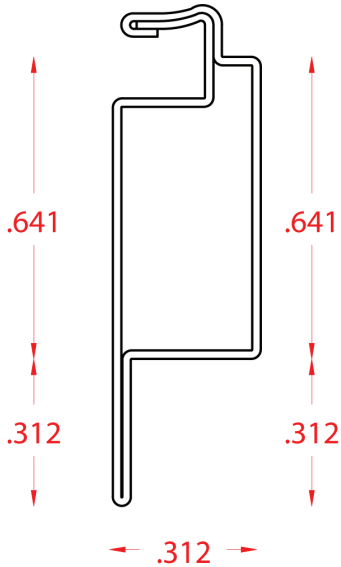
Window Screen Frames

Screen Frame Components



SC516FL - 5/16" Flange "Inside"
Roll Formed Aluminum Screen Frame

Standard Packaging	Corner Keys	Corners Per Box
Pieces per Box: 112	DSSC516F	600
Piece Length: 12'8"	DIFSC516	1000
Box Weight: 76 lbs.		

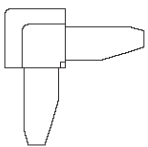


SC516L - 5/16" Flange "Outside"
Roll Formed Aluminum Screen Frame

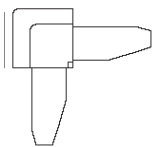
Standard Packaging	Corner Keys	Corners Per Box
Pieces per Box: 112	DSSC516L	900-1500
Piece Length: 12'8"	DIFSC516	1000
Box Weight: 88 lbs.		

Screen frame is produced with an industry leading paint system.
 Cut to length screen frame may be available with an up-charge.
 Standard screen frame bow is 1" to 1.5". Custom bows may be available.
 All measurements are nominal and maybe subject to change for key fit.
 Please refer to color chart for color and gauge availability.
 Please contact Customer Service for specific screen frame options.

Related Corner Keys



DSSC516F
External



DSSC516L
External

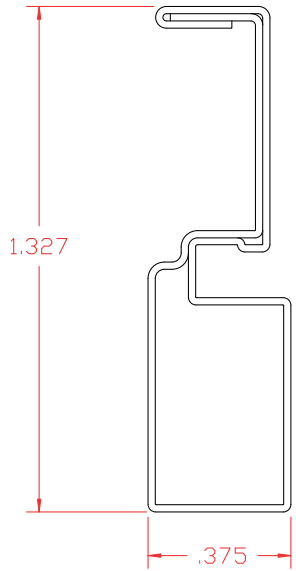


DIFSC516
Plastic
Internal



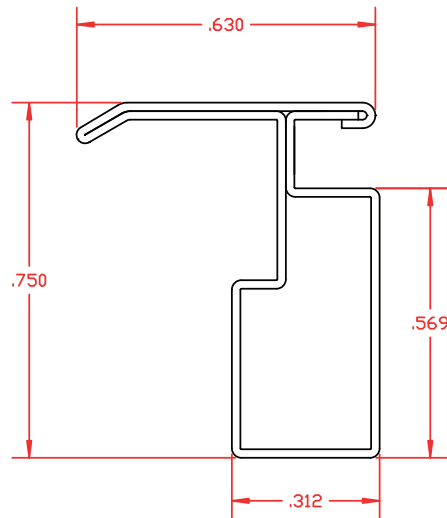
Window Screen Frames

Screen Frame Components



SC516HLR - 5/16" with Flush Lift Rail
Roll Formed Aluminum Screen Frame

Standard Packaging	Corner Keys	Corners Per Box
Pieces per Box: 96	DSSC516	800-3000
Piece Length: 12'8"	DSSC516S	800
Box Weight: 94 lbs.	DSSC516PT	1000
	DSSC516SPT	1000
	DHSC516	800
	DISC516	800
	DISC516M	1000



SC516LR - 5/16" with Lift Rail
Roll Formed Aluminum Screen Frame

Standard Packaging	Corner Keys	Corners Per Box
Pieces per Box: 80	DSSCU516	800
Piece Length: 12'8"		
Box Weight: 64 lbs.		

Screen frame is produced with an industry leading paint system.
 Cut to length screen frame may be available with an up-charge.
 Standard screen frame bow is 1" to 1.5". Custom bows may be available.
 All measurements are nominal and maybe subject to change for key fit.
 Please refer to color chart for color and gauge availability.
 Please contact Customer Service for specific screen frame options.

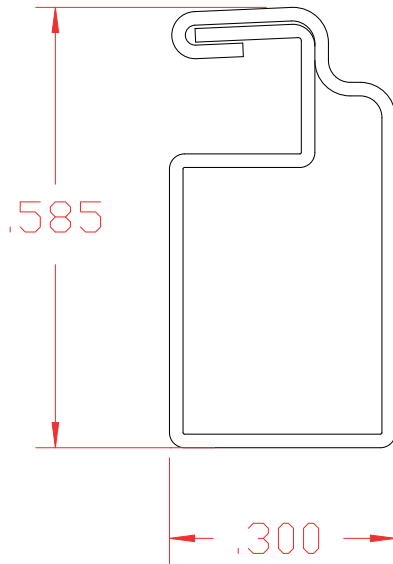
Related Corner Keys

DSSC516 External	DSSC516S External With Spring Stop	DSSC516PT External With Pull Tab	DSSC516SPT External With Pull Tab & Stop	DSSCU516 External Universal	DHSC516 External Hollow Back	DISC516 Plastic Internal	DISC516M Metal Internal



Window Screen Frames

Screen Frame Components

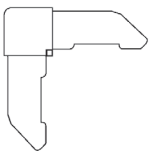


SC516594 - 5/16" x 19/32"
 Roll Formed Aluminum Screen Frame

Standard Packaging	Corner Keys	Corners Per Box
Pieces per Box: TBD	DSSC516594	5000
Piece Length: TBD		
Box Weight: TBD		

**Screen frame is produced with an industry leading paint system.
 Cut to length screen frame may be available with an up-charge.
 Standard screen frame bow is 1" to 1.5". Custom bows may be available.
 All measurements are nominal and maybe subject to change for key fit.
 Please refer to color chart for color and gauge availability.
 Please contact Customer Service for specific screen frame options.**

Related Corner Keys

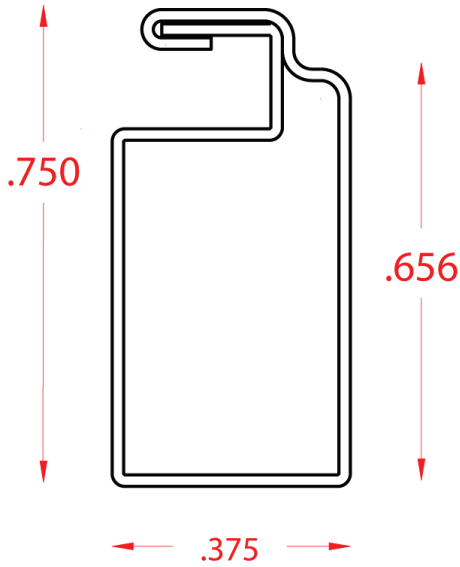


DSSC516594
 External



Window Screen Frames

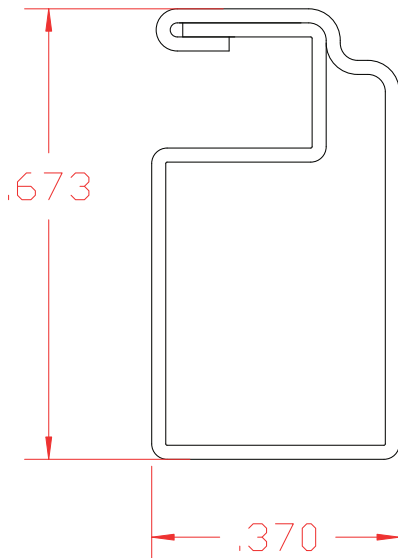
Screen Frame Components



SC38 - 3/8" x 3/4"

Roll Formed Aluminum Screen Frame

Standard Packaging	Corner Keys	Corners Per Box
Pieces per Box: 140	DSSC38	600-2500
Piece Length: 12'8"	DSSC38S	600
Box Weight: 104 lbs.	DSSC38PT	1000
	DSSC38SPT	1000
	DSSCU38	800
	DHSC38	600
	DISC38	600
	DISC38M	1000
	DSSC381	2000
	DSSC381PT	2000
	DSSC381SPT	2000



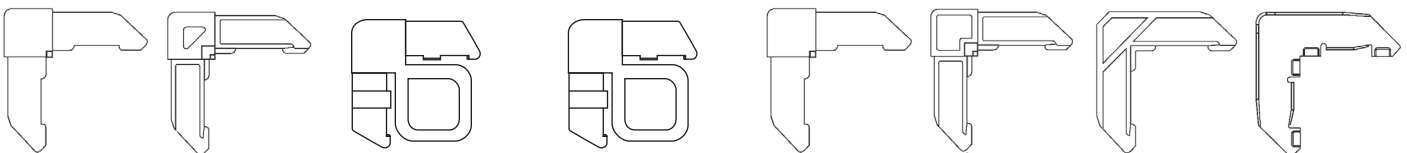
SCB38 - 3/8" x 3/4" B Profile

Roll Formed Aluminum Screen Frame

Standard Packaging	Corner Keys	Corners Per Box
Pieces per Box: 143	DSSCB38	1000
Piece Length: 12'8"	DISCB38M	1000
Box Weight: 92 lbs.		

Screen frame is produced with an industry leading paint system.
 Cut to length screen frame may be available with an up-charge.
 Standard screen frame bow is 1" to 1.5". Custom bows may be available.
 All measurements are nominal and maybe subject to change for key fit.
 Please refer to color chart for color and gauge availability.
 Please contact Customer Service for specific screen frame options.

Related Corner Keys

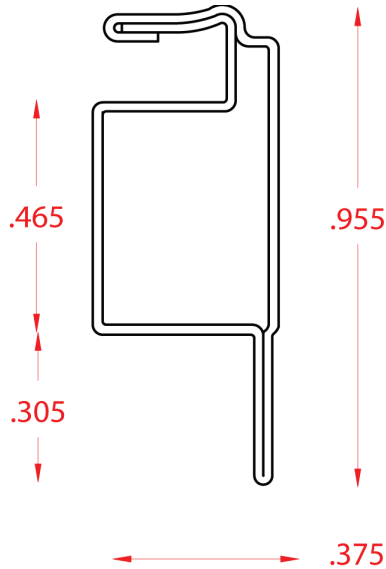


- | | | | | | | | |
|---|---|--|---|---|---|--------------------------------------|--|
| DSSC38
DSSCB38
DSSC381
External | DSSC38S
External
With Spring
Stop | DSSC38PT
DSSC381PT
External With
Pull Tab | DSSC38SPT
DSSC381SPT
External With Pull
Tab & Stop | DSSCU38
External
Universal | DHSC38
External
Hollow
Back | DISC38
Plastic
Internal | DISC38M
DISCB38M
Metal
Internal |
|---|---|--|---|---|---|--------------------------------------|--|



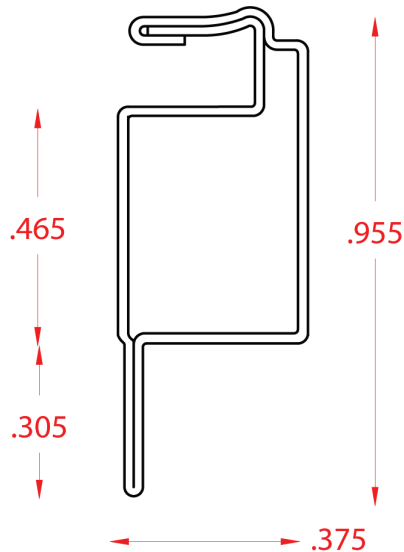
Window Screen Frames

Screen Frame Components



SC38FL - 3/8" Flange "Inside"
Roll Formed Aluminum Screen Frame

Standard Packaging	Corner Keys	Corners Per Box
Pieces per Box: 120	DIFSC38	100
Piece Length: 12'8"	DSSC38F	500-1000
Box Weight: 108 lbs.	DISCB38M	1000



SC38FLO - 3/8" Flange "Outside"
Roll Formed Aluminum Screen Frame

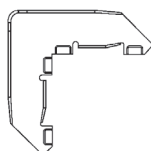
Standard Packaging	Corner Keys	Corners Per Box
Pieces per Box: 120	DIFSC38	100
Piece Length: 12'8"	DISCB38M	1000
Box Weight: 108 lbs.	DSSCB38FOL	1000
	DSSC38FO	500-1000
	DSSCB38FOR	1000

Screen frame is produced with an industry leading paint system.
 Cut to length screen frame may be available with an up-charge.
 Standard screen frame bow is 1" to 1.5". Custom bows may be available.
 All measurements are nominal and maybe subject to change for key fit.
 Please refer to color chart for color and gauge availability.
 Please contact Customer Service for specific screen frame options.

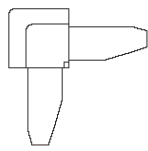
Related Corner Keys



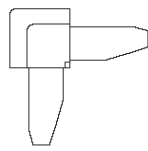
DIFSC38
Plastic
Internal



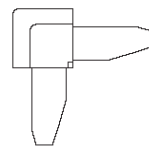
DISCB38M
Metal
Internal



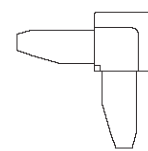
DSSC38F
External



DSSC38FO
External



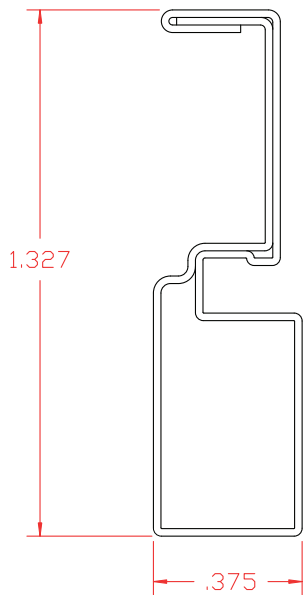
DSSCB38FOL
External Left



DSSCB38FOR
External Right



Window Screen Frames

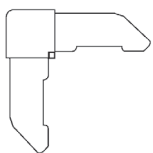


SC38HLR - 3/8" with Flush Lift Rail
Roll Formed Aluminum Screen Frame

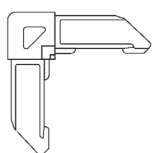
Standard Packaging	Corner Keys	Corners Per Box
Pieces per Box: 64	DSSC38	600-2500
Piece Length: 12'8"	DSSC38S	600
Box Weight: 77 lbs.	DSSC38PT	1000
	DSSC38SPT	1000
	DHSC38	600
	DISC38	600
	DISC38M	1000

Screen frame is produced with an industry leading paint system.
 Cut to length screen frame may be available with an up-charge.
 Standard screen frame bow is 1" to 1.5". Custom bows may be available.
 All measurements are nominal and maybe subject to change for key fit.
 Please refer to color chart for color and gauge availability.
 Please contact Customer Service for specific screen frame options.

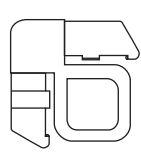
Related Corner Keys



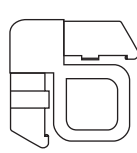
DSSC38
External



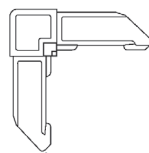
DSSC38S
External
With Spring
Stop



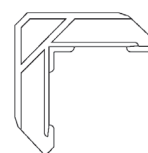
DSSC38PT
External
With Pull
Tab



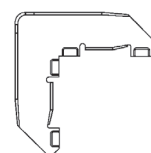
DSSC38SPT
External With
Pull Tab &
Stop



DHSC38
External
Hollow
Back



DISC38
Plastic
Internal

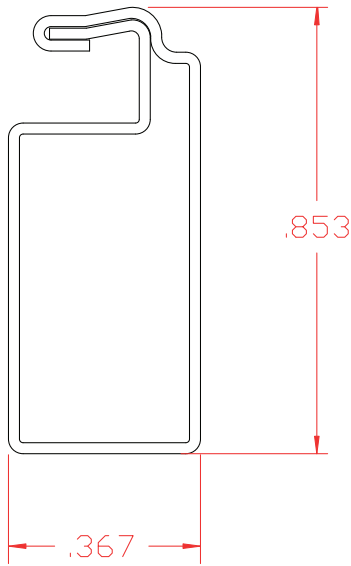


DISC38M
Metal
Internal



Window Screen Frames

Screen Frame Components

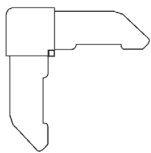


SCB3878 - 3/8" x 7/8" B Profile
Roll Formed Aluminum Screen Frame

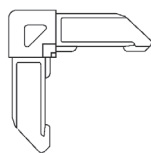
Standard Packaging	Corner Keys	Corners Per Box
Pieces per Box: 104	DSSC38786	1000
Piece Length: 12'8"	DSSCB3878S	1000
Box Weight: 76 lbs.	DISC3878	1000

Screen frame is produced with an industry leading paint system.
 Cut to length screen frame may be available with an up-charge.
 Standard screen frame bow is 1" to 1.5". Custom bows may be available.
 All measurements are nominal and maybe subject to change for key fit.
 Please refer to color chart for color and gauge availability.
 Please contact Customer Service for specific screen frame options.

Related Corner Keys



DSSCB3878
External



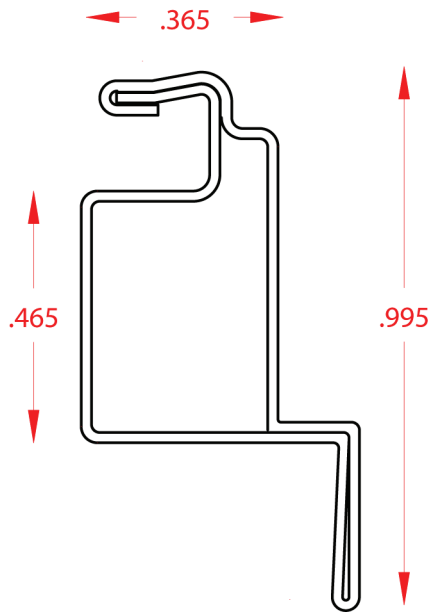
DSSCB3878S
External With
Spring Stop



DISC3878
Plastic
Internal



Window Screen Frames

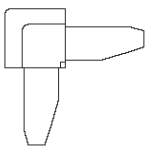


SC365 - .365" with 90° Offset Flange
Roll Formed Aluminum Screen Frame

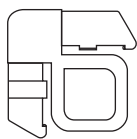
Standard Packaging	Corner Keys	Corners Per Box
Pieces per Box: 110	DSSC365PT	1000
Piece Length: 12'8"	DIFSC38	1000
Box Weight: 89 lbs.	DSSC365	1000

Screen frame is produced with an industry leading paint system.
 Cut to length screen frame may be available with an up-charge.
 Standard screen frame bow is 1" to 1.5". Custom bows may be available.
 All measurements are nominal and maybe subject to change for key fit.
 Please refer to color chart for color and gauge availability.
 Please contact Customer Service for specific screen frame options.

Related Corner Keys



DSSC365
External



DSSC365PT
External With
Pull Tab

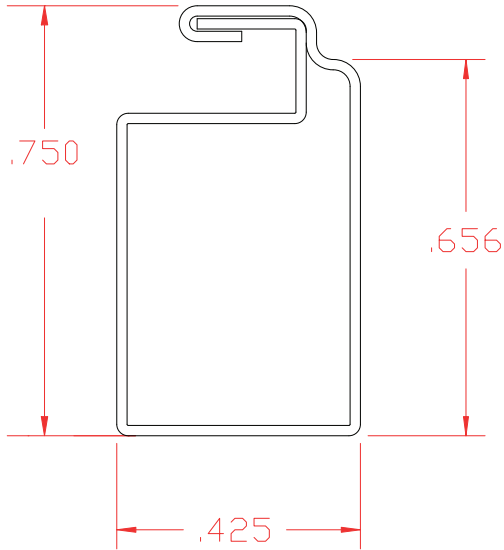


DIFSC38
Plastic
Internal



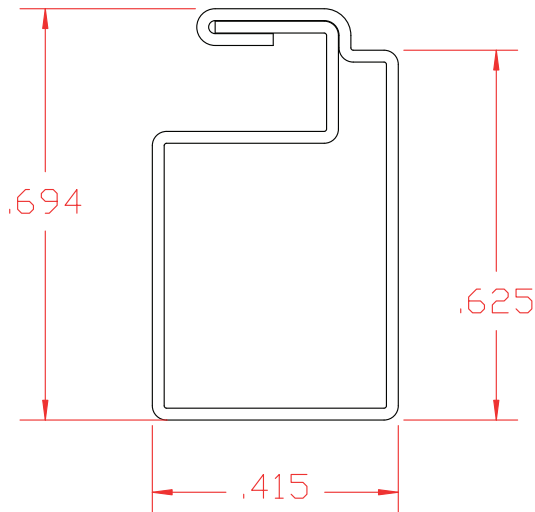
Window Screen Frames

Screen Frame Components



SC716 - 7/16" x 3/4"
Roll Formed Aluminum Screen Frame

Standard Packaging	Connectors	Connectors per box
Pieces Per Box: 112	DSSC716	600
Piece Length: 12'8"	DHSC716	600
Box Weight: 78 lbs.	DISC716	600
	DISC716M	1000
	DSSCBL100L	1000
	DSSCBL208L	1000
	DSSCBL100R	1000
	DSSCBL208R	1000

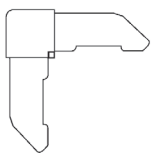


SCB716 - 7/16" x 3/4" B Profile
Roll Formed Aluminum Screen Frame

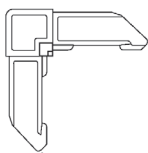
Standard Packaging	Corner Keys	Corners Per Box
Pieces per Box: 112	DSSCBL100L	1000
Piece Length: 12'8"	DSSCBL208L	1000
Box Weight: 94 lbs.	DSSCBL100R	1000
	DSSCBL208R	1000
	DISCB716M	1000

Screen frame is produced with an industry leading paint system.
 Cut to length screen frame may be available with an up-charge.
 Standard screen frame bow is 1" to 1.5". Custom bows may be available.
 All measurements are nominal and maybe subject to change for key fit.
 Please refer to color chart for color and gauge availability.
 Please contact Customer Service for specific screen frame options.

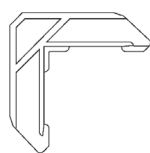
Related Corner Keys



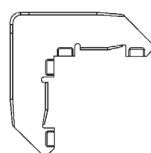
DSSC716
External



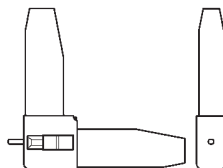
DHSC716
External
Hollow
Back



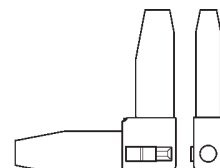
DISC716
Plastic
Internal



DISC716M
DISCB716M
Metal
Internal



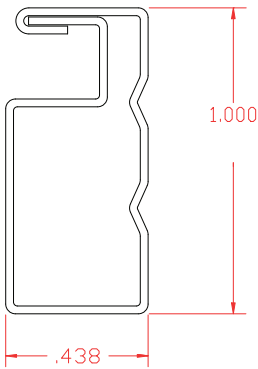
DSSCBL100L
DSSCBL208L
External Left



DSSCBL100R
DSSCBL208R
External Right

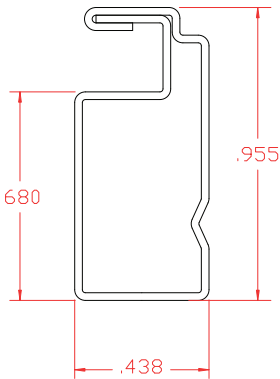


Window Screen Frames



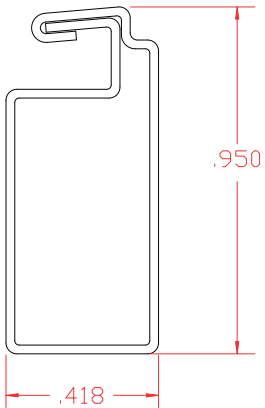
SC7161D - 7/16" x 1" Double Groove Roll Formed Aluminum Screen Frame

Standard Packaging	Corner Keys	Corners Per Box
Pieces per Box: 88	DHSCB7161	750
Piece Length: 12'8"	DISC7161M	1000
Box Weight: 70 lbs.		



SC7161S - 7/16" x 1" Single Groove Roll Formed Aluminum Screen Frame

Standard Packaging	Corner Keys	Corners Per Box
Pieces per Box: 88	DHSCB7161	750
Piece Length: 12'8"	DISC7161M	1000
Box Weight: 70 lbs.		

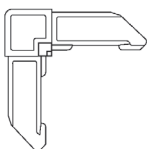


SCB7161 - 7/16" x 1" B Profile Roll Formed Aluminum Screen Frame

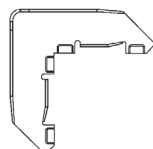
Standard Packaging	Corner Keys	Corners Per Box
Pieces per Box: 70	DHSCB7161	750
Piece Length: 13'	DISC7161M	1000
Box Weight: 63 lbs.		

Screen frame is produced with an industry leading paint system.
 Cut to length screen frame may be available with an up-charge.
 Standard screen frame bow is 1" to 1.5". Custom bows may be available.
 All measurements are nominal and maybe subject to change for key fit.
 Please refer to color chart for color and gauge availability.
 Please contact Customer Service for specific screen frame options.

Related Corner Keys



DHSCB7161
External
Hollow Back

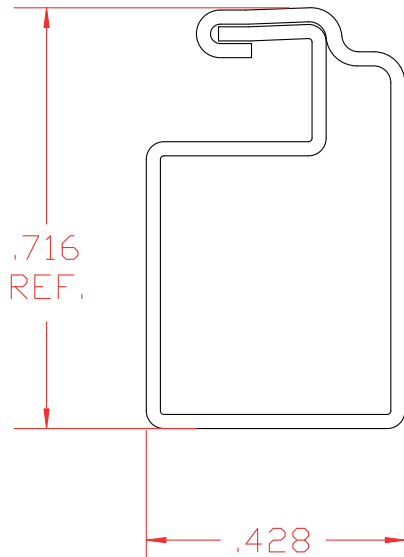


DISC7161M
Metal
Internal



Window Screen Frames

Screen Frame Components

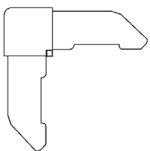


SCAD1116 - 7/16" x 11/16"
 Roll Formed Aluminum Screen Frame

Standard Packaging	Corner Keys	Corners Per Box
Pieces per Box: 100	DSCAD1116	1000
Piece Length: 12'6"	DISC1116	600
Box Weight: 67 lbs.		

Screen frame is produced with an industry leading paint system.
 Cut to length screen frame may be available with an up-charge.
 Standard screen frame bow is 1" to 1.5". Custom bows may be available.
 All measurements are nominal and maybe subject to change for key fit.
 Please refer to color chart for color and gauge availability.
 Please contact Customer Service for specific screen frame options.

Related Corner Keys



SCAD1116
 External

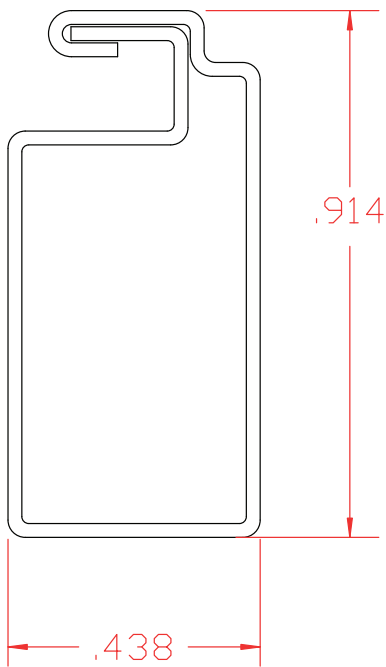


DISC1116
 Plastic
 Internal



Window Screen Frames

Screen Frame
Components

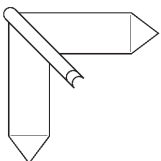


SCJ716914 - 7/16" x .914"
Roll Formed Aluminum Screen Frame

Standard Packaging	Corner Keys	Corners Per Box
Pieces per Box: 88	DISC716914P	2500
Piece Length: 12'8"		
Box Weight: 65 lbs.		

Screen frame is produced with an industry leading paint system.
 Cut to length screen frame may be available with an up-charge.
 Standard screen frame bow is 1" to 1.5". Custom bows may be available.
 All measurements are nominal and maybe subject to change for key fit.
 Please refer to color chart for color and gauge availability.
 Please contact Customer Service for specific screen frame options.

Related Corner Keys

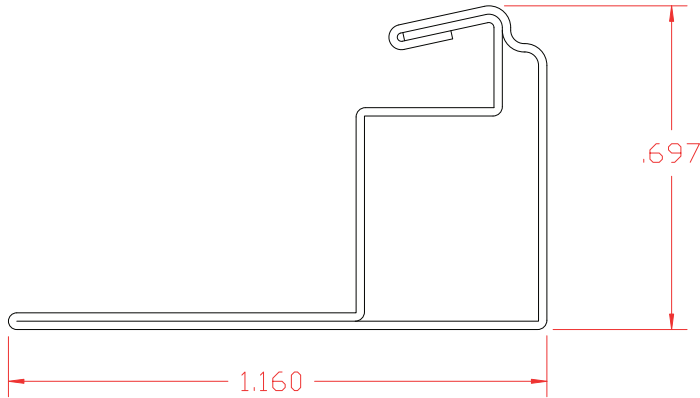


DISC716914P
Plastic Internal



Window Screen Frames

Screen Frame Components

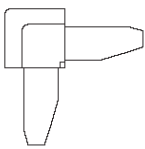


SCB716WK - 7/16" Wicket Screen Frame with 1 1/8" Lip B Profile Roll Formed Aluminum Screen Frame

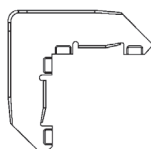
Standard Packaging	Corner Keys	Corners Per Box
Pieces per Box: 75	DSSCB716WK	1000
Piece Length: 13'	DISCB716M	1000
Box Weight: 84 lbs.		

**Screen frame is produced with an industry leading paint system.
 Cut to length screen frame may be available with an up-charge.
 Standard screen frame bow is 1" to 1.5". Custom bows may be available.
 All measurements are nominal and maybe subject to change for key fit.
 Please refer to color chart for color and gauge availability.
 Please contact Customer Service for specific screen frame options.**

Related Corner Keys



DSSCB716WK
External

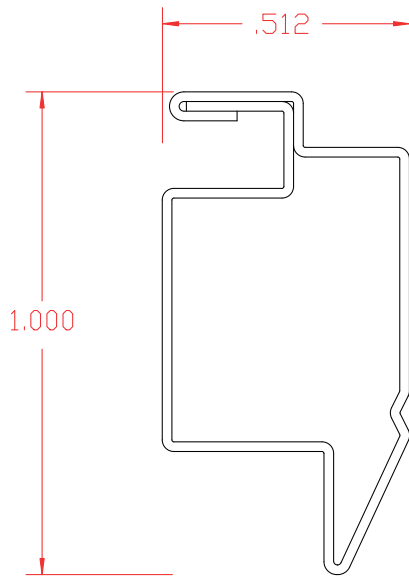


DISCB716M
Metal
Internal



Window Screen Frames

Screen Frame Components

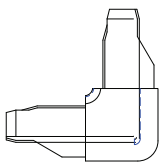


SCPH512 - Prestige Beveled with Flange Roll Formed Aluminum Screen Frame

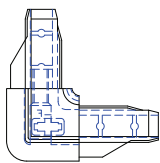
Standard Packaging	Corner Keys	Corners Per Box
Pieces per Box: 100	DSSCP512R	1000
Piece Length: 12'6"	DSSCP512L	1000
Box Weight: 67 lbs.	DSSCP512FR	1000
	DSSCP512FL	1000
	DSSCO512	1000

Screen frame is produced with an industry leading paint system.
 Cut to length screen frame may be available with an up-charge.
 Standard screen frame bow is 1" to 1.5". Custom bows may be available.
 All measurements are nominal and maybe subject to change for key fit.
 Please refer to color chart for color and gauge availability.
 Please contact Customer Service for specific screen frame options.

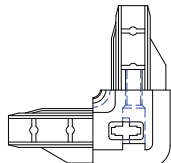
Related Corner Keys



DSSCP512
External
No Pin



DSSCP512L
DSSCP512FL
External Left

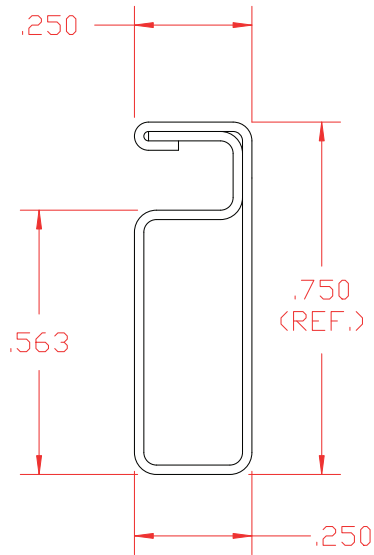


DSSCP512R
DSSCP512FR
External Right



Window Screen Frames

Screen Frame Components

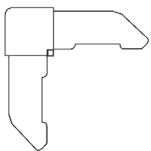


SC14 - 1/4" x 3/4" Roll Formed Aluminum Screen Frame

Standard Packaging	Corner Keys	Corners Per Box
Pieces per Box: 190	DSSC1434	2500
Piece Length: 12'	DISC1434	2500
Box Weight: 86 lbs.		

Screen frame is produced with an industry leading paint system.
 Cut to length screen frame may be available with an up-charge.
 Standard screen frame bow is 1" to 1.5". Custom bows may be available.
 All measurements are nominal and maybe subject to change for key fit.
 Please refer to color chart for color and gauge availability.
 Please contact Customer Service for specific screen frame options.

Related Corner Keys



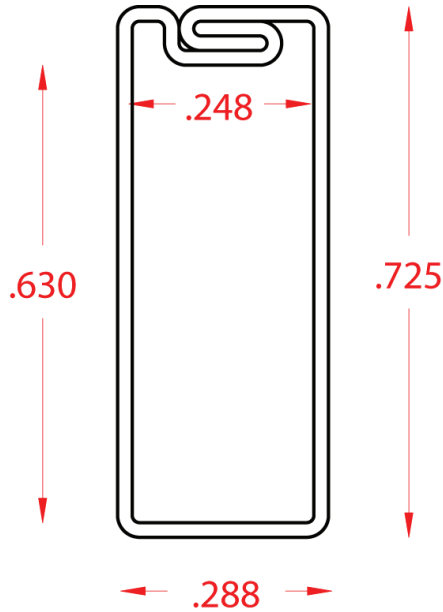
DSSC1434
External



DISC1434
Plastic
Internal



Window Screen Frames



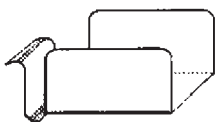
SCX - .288" x .725" Cross Brace
Roll Formed Aluminum Screen Frame

Standard Packaging	Connectors	Corners Per Box
Pieces per Box: 168	DSX	2000
Piece Length: 12'8"		
Box Weight: 97 lbs.		

Screen frame is produced with an industry leading paint system.
 Cut to length screen frame may be available with an up-charge.
 Standard screen frame bow is 1" to 1.5". Custom bows may be available.
 All measurements are nominal and maybe subject to change for key fit.
 Please refer to color chart for color and gauge availability.
 Please contact Customer Service for specific screen frame options.

**See page 18 for Cross Brace Alternatives.*

Cross Brace Clip



DXS Clip



Cross Brace Alternatives

Cross Brace Clip	Fits Cross Brace w / Dimensions	Corresponding Cross Brace
DXS	.250 x .625	SXC - Cross Brace 1/4" x 5/8"
DXS14	.250 x .750	SC14 - Screen Frame 1/4" x 3/4"
DXS2	.235 x .625	Rectangle - .235" x 5/8"
DXS3	.250 x .825	Rectangle - 1/4" x .825"
DXS31658	.188 x .625	Rectangle - 3/16" x 5/8"
DXS38	.375 x .750	SC38 - Screen Frame 3/8" x 3/4"
DXS497	.265 x .435	Rectangle - .265" x .435"
DXS498	.240 x .430	Rectangle - .240" x .430"
DXS516	.312 x .750	Rectangle - 5/16" x 3/4"
DXS1658	.312 x .625	Rectangle - 5/16" x 5/8"