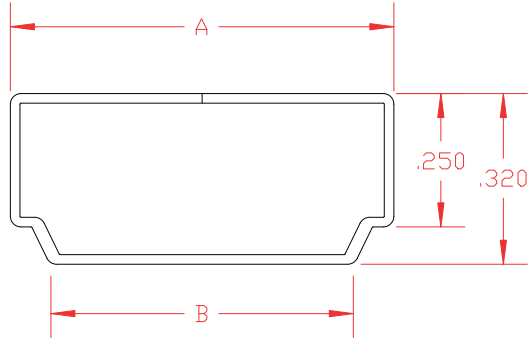




Air Spacer

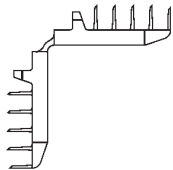
WH (250P) Air Spacer



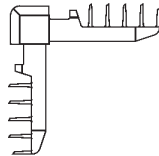
Laser-welded air spacers are available in mill finish, clear, light bronze, dark bronze, black and gold anodized aluminum, and galvanized and HY-NZ (Nickel Zinc coated) steel. Spacers can be imprinted or cut-to-length. Zipper welds or solid welds with perforated top can be specified.

Standard lengths are 12'8" or 13' depending on the profile.

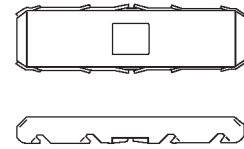
Related Connectors



**Nylon FlexiFin Bending
Corner Key**



**Glass Filled Nylon
Wraparound Corner Key**

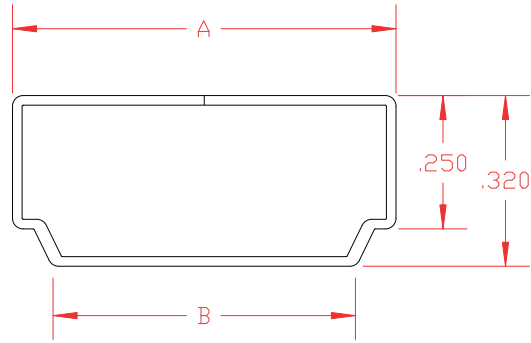


Steel Straight Connector



Air Spacer

WH (250P) Air Spacer



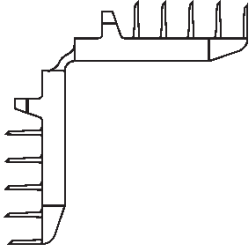
Part Number	Fractional Size	MM Size	Air Space in Inches (A)	(B) in Inches	Pieces per Carton	Linear Feet per Carton based on 156"
WHG188	3/16	4.78	0.188	0.044	350	4,550
WHG219	7/32	5.50	0.219	0.075	150	1,950
WHG230	15/64	6.00	0.230	0.086	450	5,850
WHG250	1/4	6.35	0.250	0.106	100	1,300
WHG281	9/32	7.00	0.281	0.137	185	2,405
WHG312	5/16	8.00	0.312	0.168	185	2,405
WHG8MM	0.315	8.00	0.315	0.171	185	2,405
WHG324	0.324	8.23	0.324	0.181	360	4,680
WHG344	11/32	8.74	0.344	0.201	150	1,950
WHG9MM	0.354	9.00	0.354	0.211	150	1,950
WHG375	3/8	9.50	0.375	0.232	150	1,950
WHG406	13/32	10.32	0.406	0.262	285	3,705
WHG438	7/16	11.13	0.438	0.293	120	1,560
WHG469	15/32	11.92	0.469	0.325	120	1,560
WHG485	31/64	12.32	0.485	0.340	228	2,964
WHG500	1/2	12.70	0.500	0.356	50	650
WHG520		13.21	0.520	0.376	200	2,600
WHG531	17/32	13.50	0.531	0.387	198	2,574
WHG563	9/16	14.31	0.563	0.419	112	1,456
WHG594	19/32	15.00	0.594	0.450	190	2,470
WHG656	21/32	16.70	0.656	0.512	171	2,223
WHG719	23/32	18.27	0.719	0.575	152	1,976
WHG733	47/64	18.62	0.733	0.588	152	1,976

Air Spacer



Air Spacer

WH (250P) Air Spacer



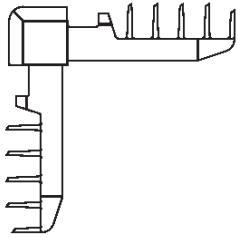
**Nylon FlexiFin
Bending Corner Key**

Part Number	Fractional Size	Key Part Number	Pieces per Box
WHG219	7/32	D219SWA	6,500
WHG250	1/4	D250SWA	6,200
WHG281	9/32	D281SWA	5,400
WHG312	5/16	D312SWA	4,200
WHG344	11/32	D344SWA	4,000
WHG375	3/8	D375SWA	3,600
WHG438	7/16	D438SWA	3,200
WHG469	15/32	D469SWA	3,300
WHG500	1/2	D500SWA	2,600
WHG531	17/32	D531SWA	2,600
WHG563	9/16	D563SWA	2,400
WHG594	19/32	D594SWA	2,300
WHG625	5/8	D625SWA	2,200
WHG656	21/32	D656SWA	2,100
WHG688	11/16	D688SWA	2,000
WHG719	23/32	D719SWA	1,900
WHG750	3/4	D750SWA	1,800



Air Spacer

WH (250P) Air Spacer



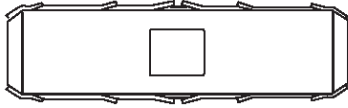
**Glass Filled Nylon
Wraparound Corner Key**

Part Number	Fractional Size	Key Part Number	Pieces per Box
WHG250	1/4	D250ATGF	1,000 / 3,700
WHG281	9/32	D281ATGF	1,000
WHG312	5/16	D312ATGF-1	3,000
WHG8MM		D312ATGF-1	3,000
WHG344	11/32	D344ATGF-1	2,700
WHG9MM		D375ATGF-1	2,400
WHG375	3/8	D375ATGF-1	2,400
WHG438	7/16	D438ATGF-1	1,900
WHG485	31/64	D469ATGF-1	1,800
WHG500	1/2	D500ATGF-1	1,700
WHG594	19/32	D594ATGF-1	1,300
WHG656	21/32	D656ATGF-1	1,200
WHG719	23/32	D719ATGF-1	1,000
WHG750	3/4	D750ATGF	300



Air Spacer

WH (250P) Air Spacer



Steel Straight Connector

Part Number	Fractional Size	Key Part Number	Pieces per Box
WHG219	7/32	D219ST	2,500
WHG250	1/4	D250ST	2,500
WHG344	11/32	D344ST	2,500
WHG485	31/64	D485ST	2,500
WHG594	19/32	D594ST	2,000