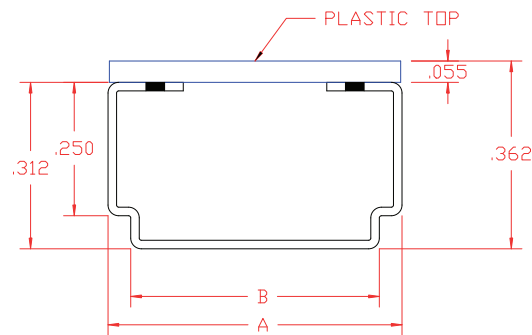




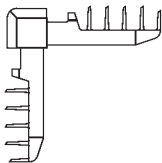
Thermal Edge Heat Mirror Profile Air Spacer (TEH)



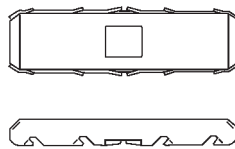
Hygrade's Heat Mirror Thermal Edge product has all the same benefits of the Low Profile Thermal Edge Product, but is approved for use in Heat Mirror applications. This uniquely designed, efficient and cost-effective warm edge spacer has the following benefits:

- Superior combination of thermal efficiency and structural strength
- True warm edge benefits: Increased edge temperature and reduced perimeter condensation
- Precisely formed rigid steel base with UV resistant polymer cap
- Heat Mirror compatible profile
- Available in White, Grey, Light Grey and Black
- Bendable with traditional metal spacer benders
- Easy to fill with desiccant
- Requires no new capital equipment
- Compatible with and enhances performance of Low-E coatings and gas filling

Related Connectors



**Wraparound Glass Filled
Nylon Corner Key**

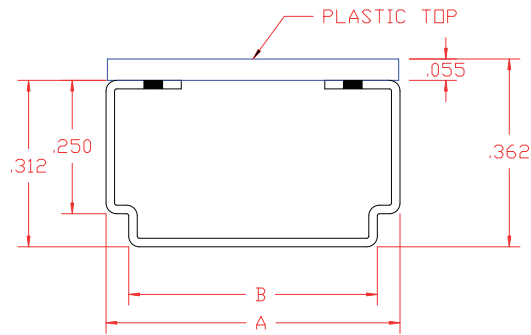


Steel Straight Connector



Air Spacer

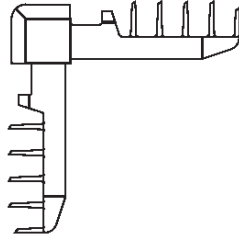
Thermal Edge Heat Mirror Profile Air Spacer (TEH)



Part Number	Air Space in Decimal (A)	Air Space in MM (A)	(B) in Inches	Pieces per Carton	Linear Feet per Carton based on 156"
TEH6MM	0.236	6	0.151	200	2,600
TEH7MM	0.276	7	0.190	180	2,340
TEH8MM	0.315	8	0.315	170	2,210
TEH9MM	0.354	9	0.354	140	1,820
TEH12MM	0.472	12	0.472	99	1,287
TEH14MM	0.551	14	0.551	90	1,170



Thermal Edge Heat Mirror Profile Air Spacer (TEH)



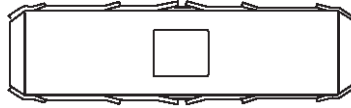
**Wraparound Glass Filled
Nylon Corner Key**

Part Number	Air Space in Decimal	Air Space in MM	Key Part Number	Pieces per Box
TEH6MM	0.236	6	D235ATGF-1	3,800
TEH7MM	0.276	7	D281ATGF-1	3,300
TEH8MM	0.315	8	D312ATGF-1	3,000
TEH9MM	0.354	9	D359ATGF-1	2,600



Air Spacer

Thermal Edge Heat Mirror Profile Air Spacer (TEH)



Steel Straight Connector

Part Number	Air Space in Decimal	Air Space in MM	Key Part Number	Pieces per Box
TEH7MM	0.276	7	DTE7MMST	2,500
TEH8MM	0.315	8	DTE8MMST	2,500
TEH9MM	0.354	9	DTE9MMST	2,500