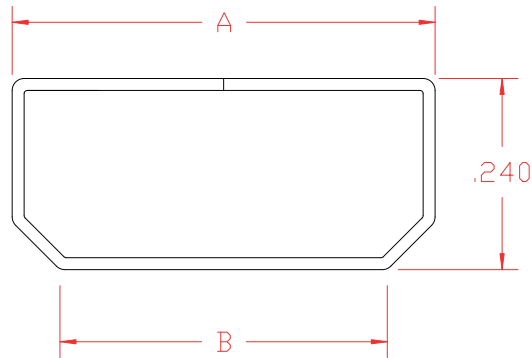




Air Spacer

LPD-Profile Air Spacer



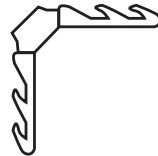
Laser-welded air spacers are available in mill finish, clear, light bronze, dark bronze, black and gold anodized aluminum, and galvanized and HY-NZ (Nickel Zinc coated) steel. Spacers can be imprinted or cut-to-length. Zipper welds or solid welds with perforated top can be specified.

Standard lengths are 12'8" or 13' depending on the profile.

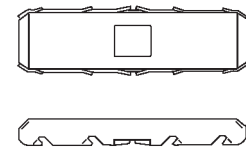
Related Connectors



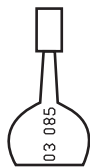
Gas Filling Key with Hole



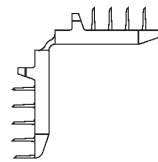
Gas Filling Key without Hole



Steel Straight Connector



Plug for Gas Filling Key



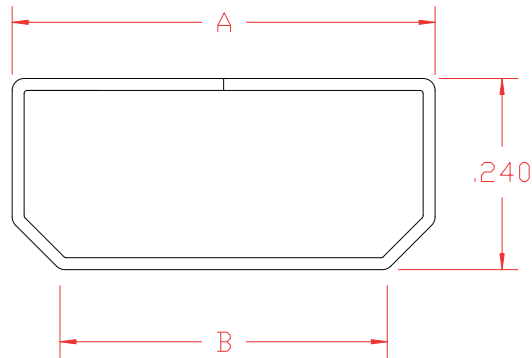
Nylon FlexiFin Bending Corner Key

Air Spacer



Air Spacer

LPD-Profile Air Spacer

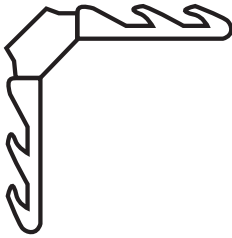


Part Number	Decimal Size	Air Space in Inches (A)	(B) in Inches	Pieces per Carton	Linear Feet per Carton based on 156"
5.5 LPD	0.216	0.216	0.097	300	3,900
6.0 LPD	0.236	0.236	0.116	300	3,900
6.5 LPD	0.256	0.256	0.133	300	3,900
7.0 LPD	.0276	.0276	0.156	250	3,250
7.5 LPD	0.296	0.296	0.175	250	3,250
8.0 LPD	0.315	0.315	0.195	220	2,860
8.5 LPD	0.335	0.335	0.219	210	2,730
9.0 LPD	0.354	0.354	0.234	204	2,652
9.5 LPD	0.374	0.374	0.254	200	2,600
10.0 LPD	0.394	0.394	0.274	190	2,470
11.5 LPD	0.453	0.453	0.333	300	3,900
12.0 LPD	0.472	0.472	0.352	285	3,705
12.5 LPD	0.492	0.492	0.372	276	3,588
13.5 LPD	0.531	0.531	0.411	250	3,250
14.5 LPD	0.571	0.571	0.451	240	3,120
15.5 LPD	0.610	0.610	0.490	210	2,730
16.0 LPD	0.630	0.630	0.651	216	2,808
16.5 LPD	0.650	0.650	0.530	225	2,925
17.5 LPD	0.689	0.689	0.569	195	2,535
18.0 LPD	0.709	0.709	0.589	184	2,392
18.5 LPD	0.728	0.728	0.608	184	2,392
19.0 LPD	0.748	0.748	0.628	192	2,496
19.5 LPD	0.768	0.768	0.648	192	2,496
20.0 LPD	0.787	0.787	0.667	185	2,405



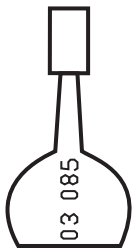
Air Spacer

LPD-Profile Air Spacer



**Gas Filling Key
with Hole**

Part Number	Decimal Size	Key Part Number	Pieces per Box
5.5 LPD	0.216	D5.5GFH	5,000
6.0 LPD	0.236	D6GFH	2,700
6.5 LPD	0.256	D6.5GFH/-2	2,000 / 1,000
7.5 LPD	0.295	D7.5GFH	5,000
8.0 LPD	0.315	D8GFH	5,000
9.5 LPD	0.374	D9.5GFH/-1	5,000 / 1,000
11.5 LPD	0.453	D11.5GFH	5,000
12.5 LPD	0.492	D12.5GFH	5,000
13.5 LPD	0.531	D13.5GFH	5,000
14.5 LPD	0.571	D14.5GFH	4,000
15.5 LPD	0.610	D15.5GFH/-1	4,000 / 1,000
16.0 LPD	0.630	D16GFH	3,500
17.5 LPD	0.689	D17.5GFH	3,500
18.5 LPD	0.728	D18.5GFH	3,500
19.5 LPD	0.768	D19.5GFH	3,500
21.5 LPD	0.646	D21.5GFH	3,000



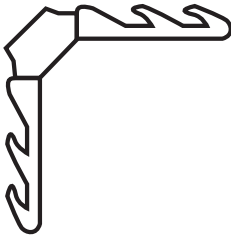
Plug for Gas Filling Key

Part Number	Plug Part Number	Pieces per Box
5.5 LPD to 7.5 LPD	DP3.5	5,000
8.0 LPD to 21.5 LPD	DP5.3	5,000
5.5 LPD to 8.0 LPD	PLUG-7.2	5,000
8.5 LPD to 21.5 LPD	PLUG-8.5	5,000



Air Spacer

LPD-Profile Air Spacer



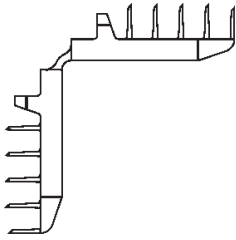
**Gas Filling Key
without Hole**

Part Number	Decimal Size	Key Part Number	Pieces per Box
5.5 LPD	0.216	D5.5GF	5,000
6.0 LPD	0.236	D6GF	2,700
6.5 LPD	0.256	D6.5GF/-2	5,000 / 2,000
7.5 LPD	0.295	D7.5GF	5,000
8.0 LPD	0.315	D8GF	5,000
9.5 LPD	0.374	D9.5GF/-1	5,000 / 1,000
11.5 LPD	0.453	D11.5GF	5,000
12.5 LPD	0.492	D12.5GF	5,000
13.5 LPD	0.531	D13.5GF	5,000
14.5 LPD	0.571	D14.5GF	4,000
15.5 LPD	0.610	D15.5GF/-1	4,000 / 1,000
16.0 LPD	0.630	D16GF	3,500
17.5 LPD	0.689	D17.5GF	3,500
18.5 LPD	0.728	D18.5GF	3,500
19.5 LPD	0.768	D19.5GF	3,500
21.5 LPD	0.646	D21.5GF	3,000



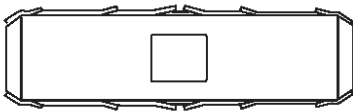
Air Spacer

LPD-Profile Air Spacer



**Nylon FlexiFin Bending
Corner Key**

Part Number	Decimal Size	Key Part Number	Pieces per Box
10.0 LPD	0.394	DF10SWA	4,800
12.0 LPD	0.472	DF12SWA	3,800
16.0 LPD	0.630	DF16SWA	3,000
18.5 LPD	0.728	DF18.5SWA	2,500
20.0 LPD	0.787	DF20SWA	2,200



Steel Straight Connector

Part Number	Decimal Size	Key Part Number	Pieces per Box
5.5 LPD	0.216	DF4.5ST	2,500
6.5 LPD	0.256	DF6.5ST	2,500
8.0 LPD	0.315	DF8.0ST	2,500
9.5 LPD	0.374	DF9.5ST	2,500
11.5 LPD	0.453	DF11.0ST	2,500
12.5 LPD	0.492	DF12.5ST	2,500
14.5 LPD	0.571	DF14.5ST	2,500
16.0 LPD	0.630	DF16.0ST	2,000
17.0 LPD	0.669	DF17.0STAM	1,500
17.5 LPD	0.689	DF17.5ST	1,500
19.0 LPD	0.748	DF19.0ST	1,500